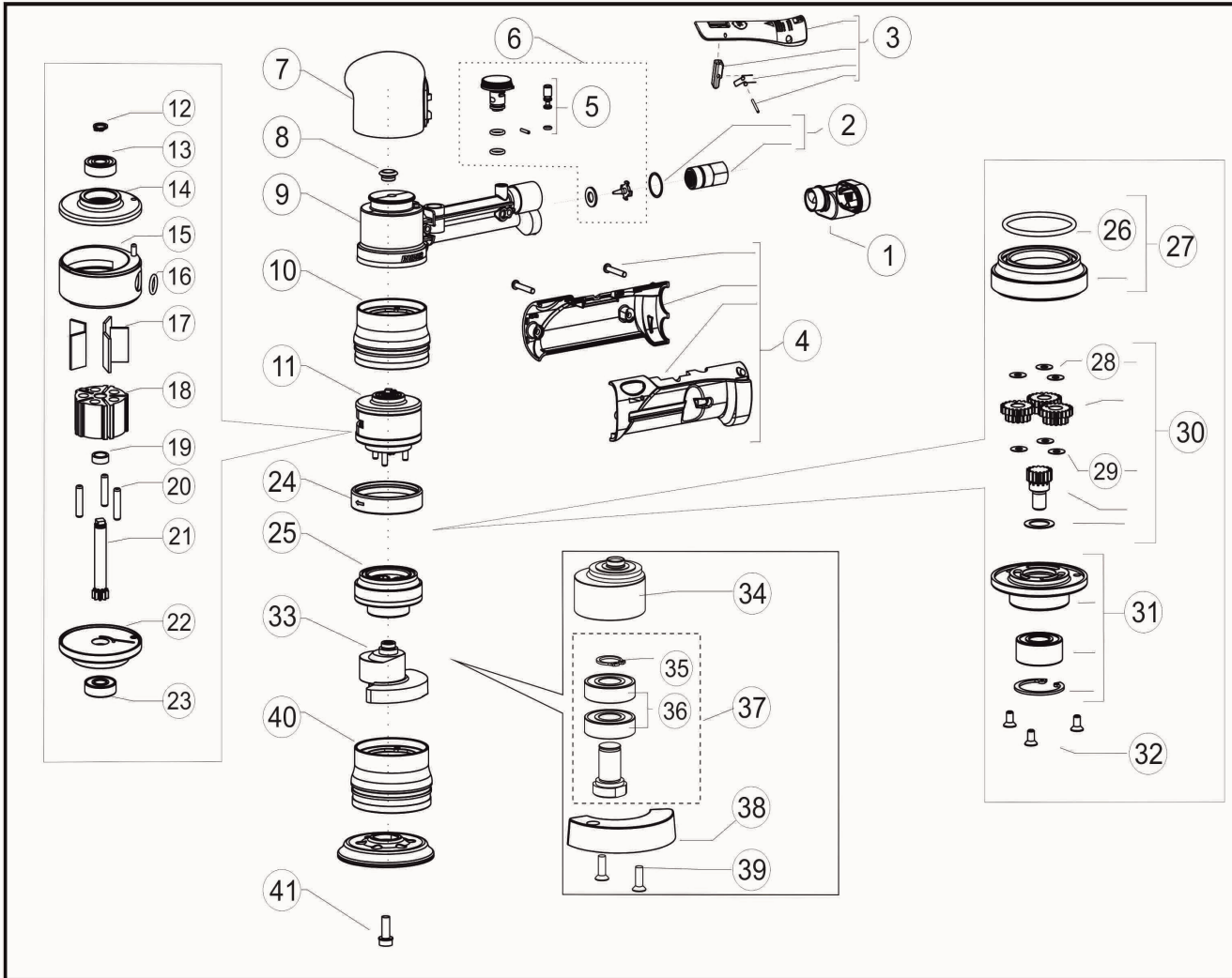


03/2020



RUPES

LUCIDATRICE TRIPLE ACTION
 TRIPLE ACTION POLISHER

LTA75

ID	ITEM	DESCRIPTION
001	19.196/C	SILENCER COMPLETE SET LTA
002	43.330/C	AIR ENTRY CONNECTOR
003	381.344/C	COMPLETE LEVER LTA 125
004	44.197/C	COMPLETE HANDLE+HEXAGONAL SPANNER
005	382.197/C	PIN VALVE LHR75
006	30.344/C	COMPLETE VALVE GROUP LTA
007	381.197/C	VALVE PIN + O-RING
008	9.1816	PLUG PVC BLACK for hole 8mm
009	314.338/C	BODY MOTOR FOR LTA75
011	10.343/C	LTA125 COMPLETE POWER UNIT
012	9.148	SEEGER FOR SHAFT 7mm
013	9.34/10	BEARING SKF 607 ZZ-C3
014	28.364	Upper Motor Head
015	20.340	MOTER CYLINDER
016	9.2001	O-RING 2031
017	18.364/10	Set 10 vanes Skorpio III 1,45 x 11 x 19,92mm
018	10.364	ROTORE ACC. SINTERIZZATO SKORPIO III
019	54.344	SPACER
020	9.4086	CYLINDER PLUG DIN 6325 4x18
021	51.343	ALBERO MOTORE Z9 H20 LHR75GP
023	9.191	BEARING NSK 607 DDMC3E J NS7 (HOLE D.7-19-6)
025	55.344/C	RING NUT WITH ORING LTA 125
026	9.4055	O-RING 3156 NBR70
027	55.344/C	RING NUT WITH ORING LTA 125
028	9.395/10	STEEL WASHER d10 x 4,2 s 0,3 material c67
029	9.395/10	STEEL WASHER d10 x 4,2 s 0,3 material c67
030	53.344/C	COMPLETE GEAR SET LTA 125
031	551.344/C	GEAR HOUSING LTA 125
032	9.624	SCREW M4 x 10 T.C.C. BURNISHED
033	58.345/C	BALANCER ORBITAL 12mm GROUP
034	58.345	ECCENTRIC SET LTA75
035	9.120	SEEGER
036	9.76/10	BEARING NSK 629-A-4DDMC3E J PS2SV
037	560.197/C	BALANCER SHAFT GROUP
038	57.197	PRIMARY COUNTERWEIGHT
039	9.6150	SCREW M4 x 12 T.S.P. BURNISHED CI.88
041	9.820	SCREW M6 x 16 UNI 4762 TC RECESS HEXAGONAL