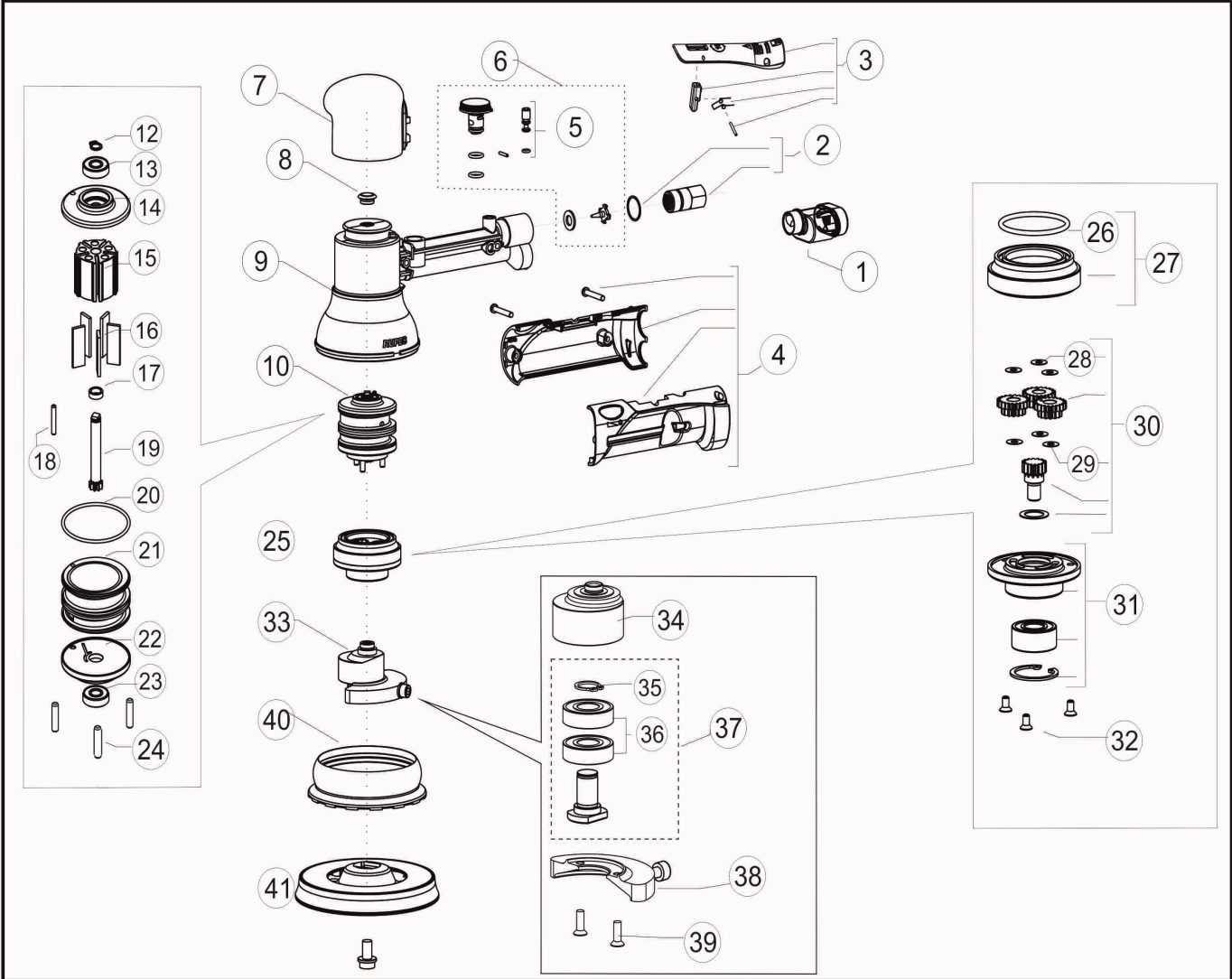


02/2020



# RUPES

LUCIDATRICE TRIPLE ACTION  
 TRIPLE ACTION POLISHER

LTA125

| ID  | ITEM      | DESCRIPTION                                  |
|-----|-----------|--|
| 001 | 19.196/C  | SILENCER COMPLETE SET LTA                    |
| 002 | 43.330/C  | AIR ENTRY CONNECTOR                          |
| 003 | 38.344/C  | COMPLETE LEVER LTA 125                       |
| 004 | 44.197/C  | COMPLETE HANDLE+HEXAGONAL SPANNER            |
| 005 | 382.197/C | PIN VALVE LHR75                              |
| 006 | 30.344/C  | COMPLETE VALVE GROUP LTA                     |
| 008 | 9.1820/10 | TAPPO per foro Corpo Skorpio                 |
| 009 | 31.344/C  | CORPO MOTORE LTA 125                         |
| 010 | 10.344/C  | LTA125 COMPLETE POWER UNIT                   |
| 012 | 9.148     | SEEGER FOR SHAFT 7mm                         |
| 013 | 9.191/10  | BEARING NSK 607 DDMC3E J NS7 (HOLE D.7-19-6) |
| 018 | 9.4087    | PLUG UNI 8734 - A3x22                        |
| 019 | 51.344    | ALBERO MOTORE Z9 H30 LHR12GP                 |
| 020 | 9.2031    | O-RING 2x46                                  |
| 023 | 9.191/10  | BEARING NSK 607 DDMC3E J NS7 (HOLE D.7-19-6) |
| 024 | 9.4086    | CYLINDER PLUG DIN 6325 4x18                  |
| 026 | 9.4055    | O-RING 3156 NBR70                            |
| 027 | 55.344/C  | RING NUT WITH ORING LTA 125                  |
| 028 | 9.395/10  | STEEL WASHER d10 x 4,2 s 0,3 material c67    |
| 029 | 9.395/10  | STEEL WASHER d10 x 4,2 s 0,3 material c67    |
| 030 | 53.344/C  | COMPLETE GEAR SET LTA 125                    |
| 031 | 551.344/C | GEAR HOUSING LTA 125                         |
| 032 | 9.609     | SCREW M4 x 8 T.S.P. BURNISHED                |
| 035 | 9.102     | SEEGER d 12 TIPO E DIN 471 CR3 PHOSPHATE     |
| 036 | 9.182/10  | BEARING 6001 DDWCM J NS75Z                   |
| 037 | 56.245N/C | ECCENTRIC SHAFT ASSEMBLY                     |
| 039 | 9.6150    | SCREW M4 x 12 T.S.P. BURNISHED CI.88         |
| 040 | 65.344/C  | RUBBER SHROUD RH series                      |