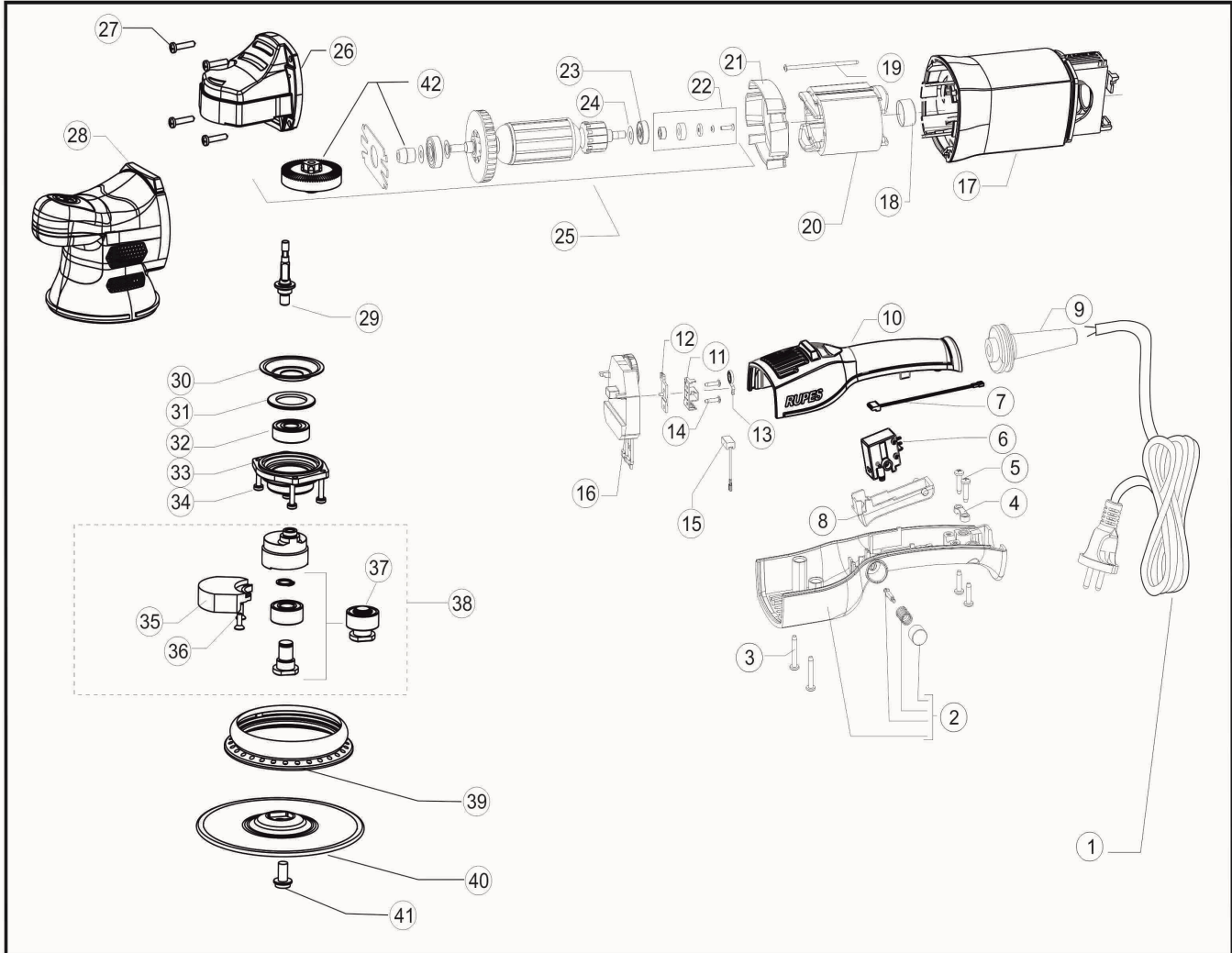


05/2026



RUPES

LUCIDATRICE ROTORBITALI
RANDOM-ORBITAL POLISHER

LHR15V
LHR21V

ID	ITEM	DESCRIPTION
001	9C2X1,0N489	CABLE 2X1 (plug Schuko d4,8) mt.9 H07RN-F FLEX
001	9C2X1,25VJA9	CABLE 2x1,25 (plug JAPAN) mt.9
001	9C2X0,8VUS9	CAVO 2x18AWG spina AMERICANA polarizzata R21 9mt.
001	9C2X1,0NAU9FOR	CABLE 2X1 (plug Australia) H07RN-F mt.9
001	9C2X1,0NGB9FOR	CABLE 2X1 (plug UK) with fork H07RN-F CENTRAL METAL PLUG mt.9
001	9C2X1,0R409FOR	CABLE 2X1 (plug D4) H07RN-F mt.9 with fork (only Swiss)
002	44.374/C	COMPLETE LOWER HANDLE
003	9.552	SCREW 3,9x25 (7x1") T.C.C.
004	442.55	CABLE CLAMP
005	9.660	SCREW 3,9x16 (7x5/8") T.C.C.
006	45.372	GRADUAL SWITCH
007	408.374/C	SWITCH WIRING
008	38.374/C	SWITCH BUTTON
009	42.290	CABLE SLEEVE SS316
010	441.374/C	COMPLETE UPPER RUBBERIZED HANDLE
011	46.105	BRUSH HOLDER BA215-LH18ENS
012	462.105	BRUSH HOLDER PLATE
013	461.105	SPRING BRUSH HOLDER BA21 BURNISHED
014	9.551	SCREW 2,9x13 (4x1/2") T.C.C.
015	47.105/10	BLISTER WITH 10 PC. BRUSHES BA215
016	400.395/C	ELECTRONIC MODULE
016	400.395/60HZ/C	ELECTRONIC MODULE LHR15III 60HZ
017	31.373/C	MOTOR BODY MARK V
018	268.105	BEARING CAP
019	9.787	SCREW 2,9x70 T.C.C.
020	2.394/100S	STATOR (V.100)
020	2.394/120S	STATOR (V.120)
020	2.394/230S	STATOR (V.230)
021	73.322	AIR BULKHEAD
022	405.322/C	COMPLETE MAGNET
023	9.14/10	BEARING 626ZZ 1MC3EJNS75Q
024	9.318	STEEL WASHER d15 x 6,1 s 0,15
025	1.372/100/C	MARK V COMPLETE ROTOR WITH GEAR SET
025	1.372/230/C	ROTOR SET (V.230-240) LHR-MARK V WITH GEAR CROWN
026	32.372/C	GEAR BOX
027	9.690	SCREW 4,2x22 (8x7/8") T.C.C.
028	814.373/C	FRONT HANDLE LHR15V WHITE
029	51.396/C	SPINDLE SHAFT
030	35.105	FLANGE PLATE
031	54.245	SPACER GEAR BOX
032	9.184/10	BEARING 6201 2BRS R66 FA227
033	33.245	FLANGE
034	9.835	SCREW M4 x 20 T.C.C. 8G BURNISHED +
035	57.397/C	CONTRAPPESO ORB 15 PER MAZZA 58.397
036	9.835	SCREW M4 x 20 T.C.C. 8G BURNISHED +
037	56.396/C	COMPLETE RAM PIN GROUP
038	58.397/C	EXCENTRIC SET ORBIT 15MM
039	651.397/C	RUBBER SHROUD HLR15 AND LHR15V
040	981.720	PRECISION PRO BACKING PAD Ø150
041	9.995	SCREW 10.9 M 8 X 16 TCCE h 3,5 C/OND 6904 (15X1) - zntdeid
042	50.372/C	POLYSYNTHETIC GEAR SET