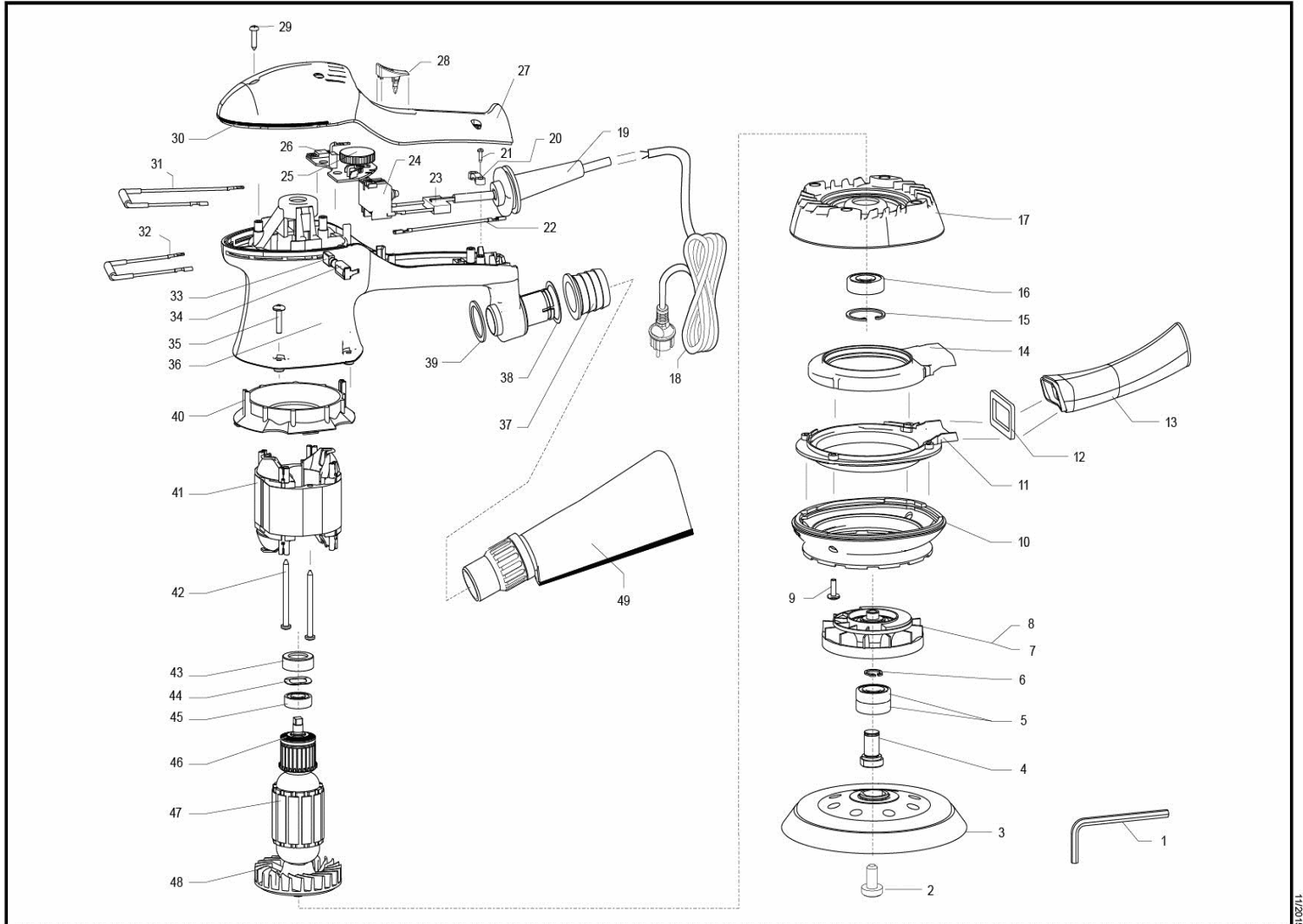


LEVIGATRICI ROTORBITALI CON ASPIRAZIONE
RANDOM ORBITAL SANDERS WITH DUST EXTRACTION



ID	ITEM	DESCRIPTION
001	9.1395	ALLEN SPANNER 5mm
002	9.715	SCREW M8 x 16 T.B. ZINC-PLATED WITH WASHER
003	981.300N/5	BOX 5pcs. Ø 150mm PAD VELCRO 15 HOLES M8 HARD
004	56.400N/C	THREADED PIN SET
005	9.189/10	BEARING 3001 12-28-12
006	9.102	SEEGER d 12 TIPO E DIN 471 CR3 PHOSPHATE
007	84.293N/C	FAN W/EXCENTRIC SET
007	84.295N/C	FAN W/EXCENTRIC SET ORB.5 ER05TE
009	9.6153	SCREW M4 x 12 ACC.8.8 T.CROSS D.10 BRU.
010	65.293	RUBBER RING
011	326.293	WOVEN-WIRE COVER
012	672.293	HOSE GASKET
013	67.293	SUCTION PIPE
014	327.293	CONVEYOR BASE ER03TE
015	9.127	SEEGER d 30 DIN 472 (inner)
016	9.42/10	BEARING NSK 6200 DDUCM J NS7SQ
017	32.293	MOTOR FLANGE
018	9C2X1,0NAU5FOR	CABLE 2X1 (plug Australia) H07RN-F mt.5
018	9C2X1,0NGB4FOR	CABLE 2X1 (plug UK) with fork H07RN-F CENTRAL METAL PLUG
018	9C2X1,0N485FOR	CAVO 2x1 (spina Schuko d4,8) mt.5 H05RN-F con forchetta
018	9C2X1,0R404FOR	CABLE 2X1 (plug D4) H07RN-F mt.4 with fork (only Swiss)
018	9C2X1,25VJA5	CABLE 2x1,25 (plug JAPAN) mt.5
018	9C2X1,5V003FOR	CABLE 2X1,5 (without plug) mt.3,50 with fork
019	42.290	CABLE SLEEVE SS31TE
020	444.14	CABLE CLAMP NYLON
021	9.660	SCREW 3,9x16 (7x5/8") T.C.C.
022	772.290	CABLE SWITCH
023	77.290	CONDENSER
024	45.210	SWITCH
025	403.209	MODUL CONTROL WHEEL WITH NUMBERING (BLACK)
026	400.290/110/C	ELECTRONIC MODULE
026	400.290/C	ELECTRONIC MODULE
027	44.293	CAP
027	44.295	CAP
028	38.290	SWITCH BUTTON nylon
029	9.660	SCREW 3,9x16 (7x5/8") T.C.C.
030	43.290	SO31TE CAP BORDER
031	774.290	INDUCTANZE CABLE
032	773.290	INDUCTANCE SO31TE
033	47.290/10	10 BRUSHES BLISTER ER05-SO31
034	46.265	BRUSH HOLDER LE21/LS21/ER03/ER05
035	9.6154	SCREW M4 x 16 ACC.8.8 T.CROSS D.10 BRU.
036	31.290	SO31TE/ER05TE MOTOR BODY
037	663.033	FILLER CONNECTOR
038	9.509	O-RING 2087
040	73.290	AIR BULKHEAD
041	2.293/230	STATOR (V.230-240)
041	2.293/110	STATOR (V.110)
042	9.651	SCREW 4,2x50 (8x2") T.C.C.
043	268.210	BEARING CAP
044	9.338	WASHER d21,8x14 s 0,3 LMKAS 22
045	9.35/10	BEARING NSK 608 DD1MC3E J PS2SQ
046	405.281	MAGNETIC RING
047	1.293/230	ROTORE (V.230-240) ER03TE
047	1.293/110	ROTORE (V.100-V.110) ER03TE
048	15.293	FAN



R.U.P.E.S. spa
Realizzazione Utensili
Pneumatici Elettrici Speciali
sede operativa: via Marconi, 3A
20080 Vermezzo (MI) - Italy
tel.: ++39.02.946941
fax.: ++39.02.94941040
e-mail: info_rupes@rupes.it

web: www.rupes.com
cod.fisc. e part. IVA: IT 05094230157
cap.sociale: euro 2.100.000 int.ver.
REA: MI-1163819
Reg. Imprese n. 0509430157
sede legale: v.le Bianca Maria, 13 - Milano
REG. RAEE: IT08020000000741
REG. PILE: IT09060P00000205

ID	ITEM	DESCRIPTION
049	80.89	BAG