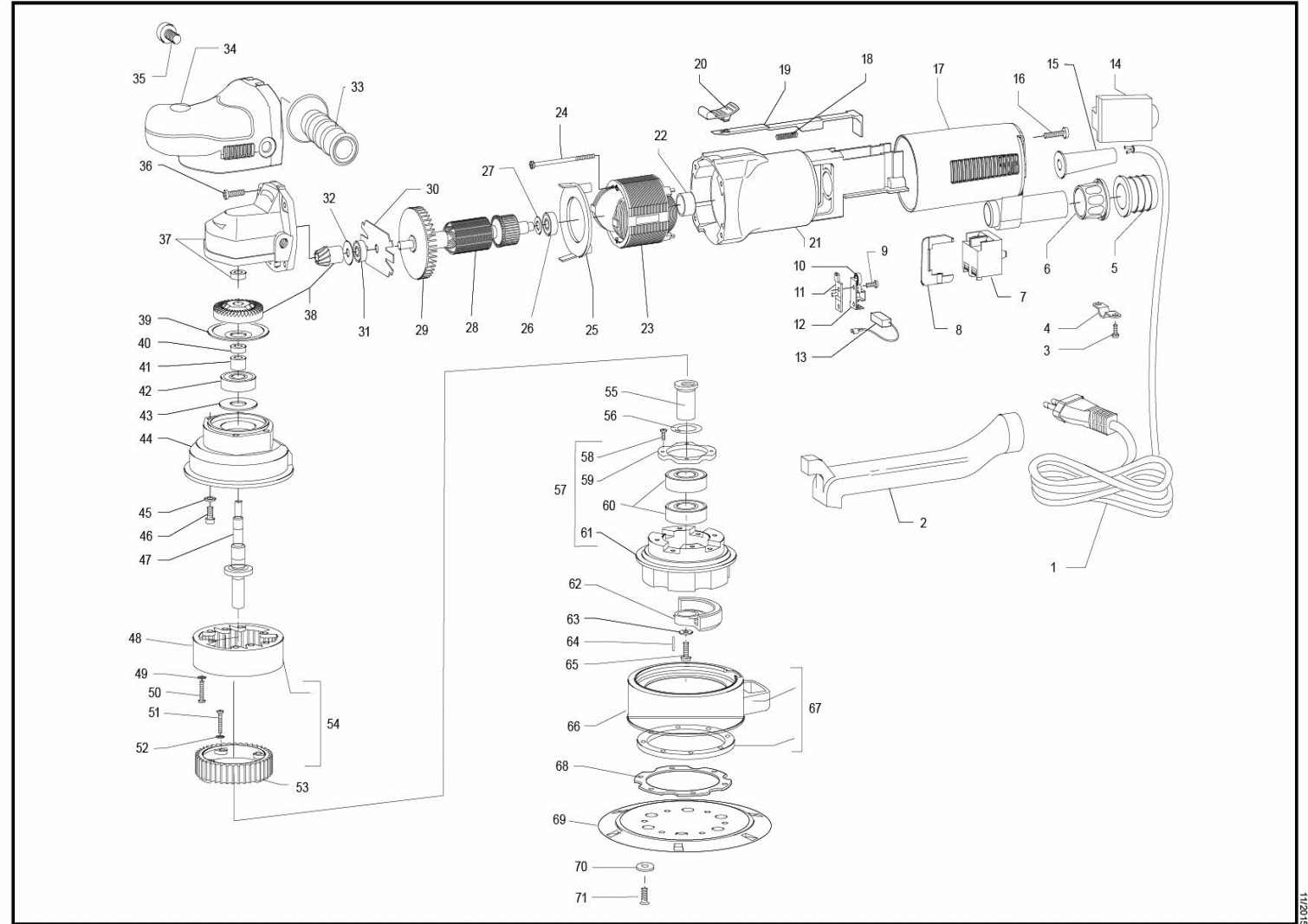


LEVIGATRICE ROTOECCENTRICA PLANETARY SANDER

EK150AES



| ID | ITEM | DESCRIPTION |
|-----|----------------|---|
| 001 | 9C2X1,0N485FOR | CAVO 2x1 (spina Schuko d4,8) mt.5 H05RN-F con forchetta |
| 001 | 9C2X1,0NAU5FOR | CABLE 2X1 (plug Australia) H07RN-F mt.5 |
| 001 | 9C2X1,0R404FOR | CABLE 2X1 (plug D4) H07RN-F mt.4 with fork (only Swiss) |
| 001 | 9C2X1,25VJA5 | CABLE 2x1,25 (plug JAPAN) mt.5 |
| 001 | 9C2X1,5V003FOR | CABLE 2X1,5 (without plug) mt.3,50 with fork |
| 002 | 67.201 | SUCTION PIPE |
| 003 | 9.660 | SCREW 3,9x16 (7x5/8") T.C.C. |
| 004 | 444.14 | CABLE CLAMP NYLON |
| 005 | 663.033 | FILLER CONNECTOR |
| 006 | 653.150 | VACUUM REGULATION |
| 007 | 45.210 | SWITCH |
| 008 | 382.247 | SWITCH SEPARATOR |
| 009 | 9.551 | SCREW 2,9x13 (4x1/2") T.C.C. |
| 010 | 461.105 | SPRING BRUSH HOLDER BA21 BURNISHED |
| 011 | 462.105 | BRUSH HOLDER PLATE |
| 012 | 46.105 | BRUSH HOLDER BA215-LH18ENS |
| 013 | 47.105/10 | BLISTER WITH 10 PC. BRUSHES BA215 |
| 014 | 400.278 | ELECTRONIC MODULE |
| 014 | 400.251/110 | ELECTRONIC MODULE 50-60HZ |
| 015 | 42.105 | CABLE SLEEVE BA21-BR51 |
| 016 | 9.660 | SCREW 3,9x16 (7x5/8") T.C.C. |
| 017 | 44.249 | BACK MOTOR BODY WITH DUST EXTRACTION |
| 018 | 75.105 | SPRING |
| 019 | 38.247 | BEAM SWITCH |
| 020 | 381.247 | RUBBER BUTTON ON/OFF |
| 021 | 31.247 | MOTOR BODY |
| 022 | 268.105 | BEARING CAP |
| 023 | 2.118/230 | STATOR (V.230) |
| 023 | 2.118/110 | STATOR (V.110) |
| 024 | 9.570 | SCREW 2,9x60 (4x2"3/8)T.C.C. |
| 025 | 73.105 | AIR BULKHEAD |
| 026 | 9.14/10 | BEARING 626ZZ 1MC3EJNS75Q |
| 027 | 9.318 | STEEL WASHER d15 x 6,1 s 0,15 |
| 028 | 1.116/100 | ROTOR (V.100) |
| 028 | 1.116/220 | ROTOR (V.220-240) |
| 029 | 15.289 | FAN |
| 030 | 351.105 | MOTOR BODY LITTLE COVER |
| 031 | 9.17/10 | BEARING 629 ZZ-C3 |
| 032 | 9.218 | STEEL WASHER d20 x 8,1 SP 0,1 |
| 033 | 811.13 | HANDLE |
| 034 | 81.289 | HANDLE CAP |
| 035 | 812.91 | SCREW M8 x 15 T.C.IN NYLON A T. |
| 036 | 9.679 | SCREW 4,2x25 (8x1") T.C.C. |
| 037 | 32.252/C | COMPLETE GEAR BOX |
| 038 | 50.106 | GEAR SET |
| 039 | 35.105 | FLANGE PLATE BA21-SL41 |
| 040 | 54.116 | SPACER |
| 041 | 541.116 | SPACER |
| 042 | 9.99/10 | BEARING NSK 6201 DDUCM D EA3S6 |
| 043 | 9.314 | STEEL WASHER d31,9 x 26 s 0,1 |
| 044 | 33.116 | FLANGE |
| 045 | 9.329 | TOOTHED WASHER |
| 046 | 9.628 | SCREW M4 x 35 T.G.S. BURNISHED |
| 047 | 51.278 | STEEL ECC. SPINDLE SHAFT |
| 049 | 9.211 | NIKEL WASHER d 4x8 sp 0,5 |
| 050 | 9.624 | SCREW M4 x 10 T.C.C. BURNISHED |

| ID | ITEM | DESCRIPTION |
|-----|-----------|--|
| 051 | 9.624 | SCREW M4 x 10 T.C.C. BURNISHED |
| 052 | 9.211 | NIKEL WASHER d 4x8 sp 0,5 |
| 054 | 521.090/C | GEAR FOR FLANGE/CUP |
| 055 | 56.278 | ECCENTRIC 2.4 EK150AE |
| 056 | 9.347 | STEEL WASHER d28 x17,1 s 0,3 |
| 057 | 331.278/C | COMPLETE GEAR CUP |
| 060 | 9.143/10 | BEARING NSK 6203 DDUC3E D EA3S6 |
| 062 | 57.278 | COUNTERWEIGHT |
| 063 | 9.208 | WASHER 5x12 |
| 064 | 9.518 | ELASTIC PLUG d 3,5x8 DIN 1481 |
| 065 | 9.616 | SCREW M5 x 14 TC + C/D STEEL 8.8 T.P. |
| 067 | 65.278/C | SUCTION SHROUD COMPLETE EK150AE |
| 068 | 68.379 | GASKET AK150A FOR PAD CUP FASIT OMNIA |
| 069 | 981.100 | Ø 150mm PAD VELCRO 6+1 HOLES FOR PLANETARY SANDERS |
| 070 | 9.328 | TOOTHED WASHER |
| 071 | 9.614 | SCRE M4 x 12 T.C.C. d7,7 BRN 8.8 |